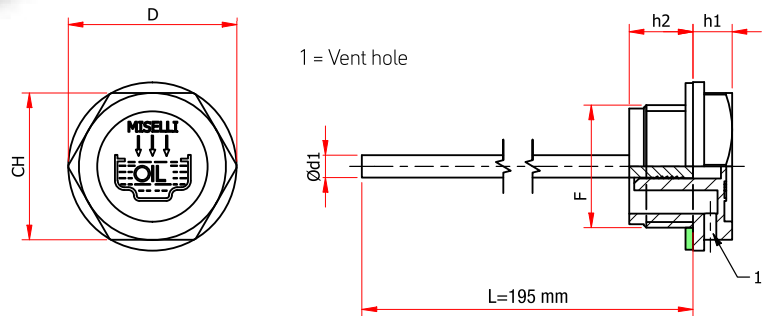


# TCA(S) - HEX PLUG WITH DIPSTICK



Threaded hex head oil plug ensuring high mechanical resistance at both low and high temperature, dimensional stability and shock resistance. These codes have the “fill” graphic symbol and the word OIL moulded on the top.

- **Material:** Polyamide PA66.
- **Sealing:** flat fiber gasket.
- **Maximum working temperature:** 100°C/212°F.
- **Breather:** model TCAS has a breather hole located on the side of the hex with a diameter from 2 to 3,5 mm, depending on the size.

- **Level dipstick:** cylindrical section with zinc steel phosphated surface, standard length 195 mm (± 5).

### Special versions

- **Level dipstick:** customizable length with MIN-MAX notches.
- **Sealing:** flat gasket NBR 70 Shore.
- **Color:** red.

	Cod.	F	Ch	D	h1	h2	d1	Pack.
	TCA/14 TCAS/14	G 1/4"	17	19	7	9	4	100
	TCA/38 TCAS/38	G 3/8"	18	22	7,5	10	4	100
	TCA/12 TCAS/12	G 1/2"	24	28	7,5	11	4	100
	TCA/34 TCAS/34	G 3/4"	30	34	9	11	5	50
	TCA/1 TCAS/1	G 1"	36	42	10,5	12	5	50
	TCA/114 TCAS/114	G 1 1/4"	42	51	12	13,5	5	25
	TCA/2 TCAS/2	G 2"	64	74	13,5	16	5	25
	TCA/14.15 TCAS/14.15	M 14x1,5	17	19	7	8	4	100
	TCA/16.15 TCAS/16.15	M 16x1,5	18	21	7,5	10	4	100
	TCA/18.15 TCAS/18.15	M 18x1,5	21	26	7,5	10	4	100
	TCA/20.15 TCAS/20.15	M 20x1,5	24	28	8	10	4	100
	TCA/22.15 TCAS/22.15	M 22x1,5	24	28	8	11	4	100